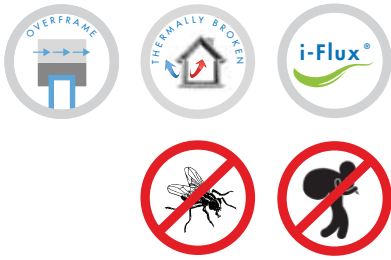


Invisivent® EVO < Overframe flap ventilators



The most discrete, self-regulating overframe flap ventilator

With the Invisivent® EVO, Renson® has developed the most discrete self-regulating window ventilator in the world that combines a healthy living comfort with a maximum visual comfort.

Installation on top of the window frame

The Invisivent® EVO is a thermally broken window ventilator that is installed on top of the aluminium, timber or PVC window frame. This almost invisible installation guarantees maximum light penetration as the glass size is not reduced.

Thermally broken

No cold air transfer from outside to inside.

i-Flux®

Thanks to its self-regulating flap, the Invisivent® EVO ensures the supply of fresh and healthy air without draughts. Moreover, the interior profile deflects the incoming air upwards, causing an optimal spread of fresh air in the room.

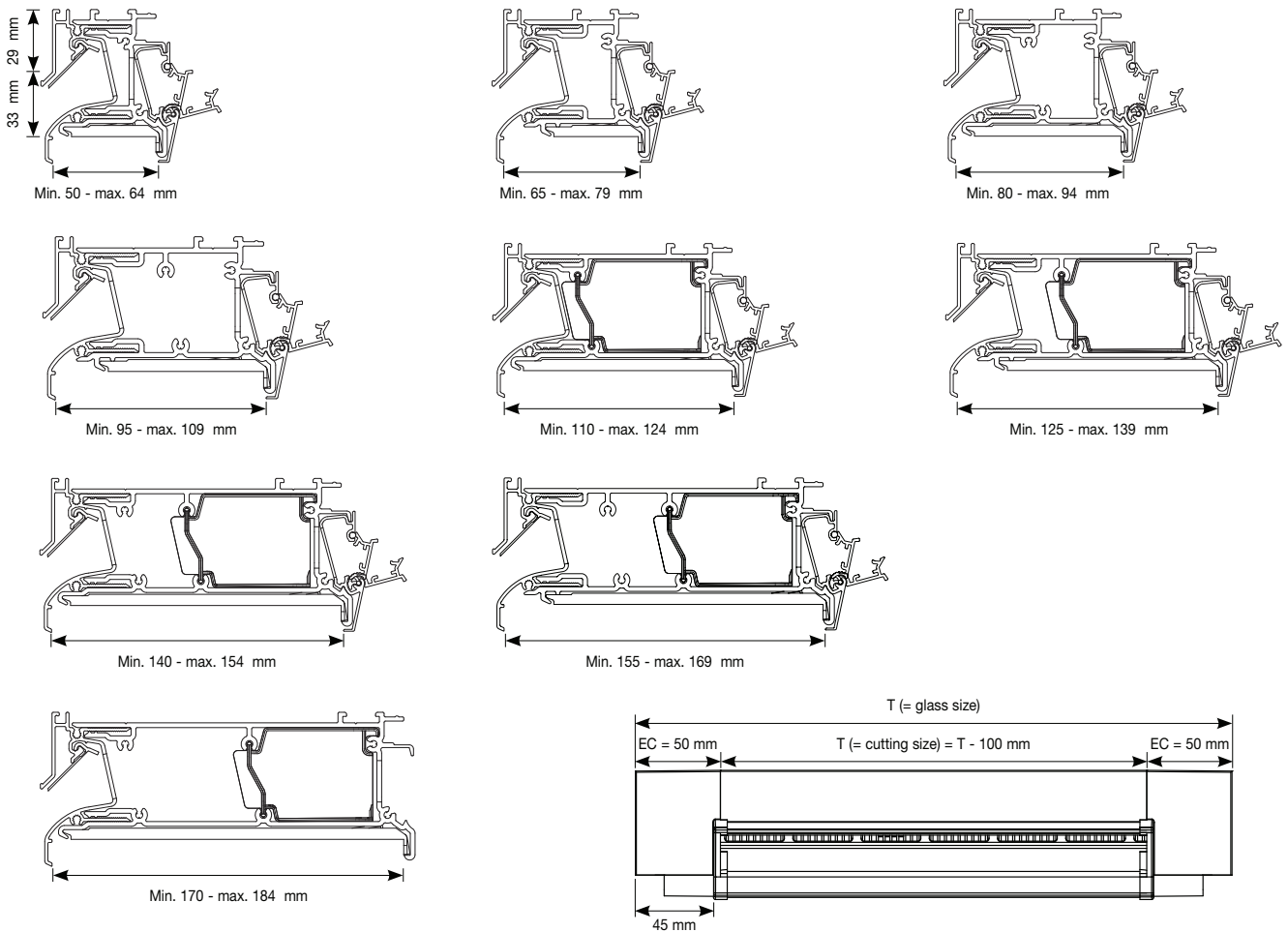
Insect mesh

Burglar proof

The Invisivent® EVO range meets the requirements of burglary resistance class 2 according to standard prEN 1627 to 1630, and therefore suits to be used on a window class WK2.



Section detail



Technical characteristics

Invisivent® EVO	
Airflow	
Equivalent area	13728 mm ² /m
Q at 1 Pa	10,8 l/s/m
Q at 1 Pa	38,8 m ³ /h/m
Q at 2 Pa	14,3 l/s/m
Q at 10 Pa	13,1 l/s/m
Q at 20 Pa	14,4 l/s/m
Comfort	
Sound reduction $D_{n,e,w}$ (C;C _{tr})	
- in open position	27 (-1;-1) dB
- in closed position	40 (-1;-2) dB
Technical characteristics	
Controllable internal flap	6 stepped positions
Control options internal flap	Manual, cord, rod, motor
U value	2,8 W/m ² K
Air leakage at 50 Pa	<15% (in closed position)
Watertightness in closed position, up to	650 Pa
Watertightness in open position, up to	50 Pa
Dimensions	
Glass reduction	0 mm
Height	62 mm
Depths window frame	50 up to 184 mm (or more upon request)
Max. length	6000 mm

